



# TAURULIFT T 204 H



www.ausa.com

AUSA Center, S.L. ● Ctra. de Vic, Km 2.8 - P.O.B. 194. 08243 Manresa - BARCELONA (ESPAÑA) Tel.: +34 93 874 73 11 - E-mail: ausa@ausa.com



(Sede central AUSA-Manresa)

- AUSA Madrid** ● Pol. Ind. Coslada - C. Marconi 15-17. 28823 Coslada - MADRID (ESPAÑA) Tel.: +34 91 669 00 06 - E-mail: ausa.madrid@ausa.com
- AUSA France** ● Z. I. Saint Charles - Rue de Zürich, 66000 PERPIGNAN (FRANCE) Tel.: +33 (0) 4 68 54 38 97 - E-mail: ausa.france@ausa.com
- AUSA Deutschland** ● Heinrich - Welken Str. 5. 59069 HAMM (GERMANY) Tel.: +49 (0) 2385-9359362 - E-mail: ausa.deutschland@ausa.com
- BEIJING Rep. Office** ● Address Room 527. HengXiang Building, Tuanjieshu Nanli, Chaoyang District. - BEIJING 100026 (CHINA)  
Tel.: 86-10-8597 1983 - Fax: 86-10-8597 1993 - E-mail: ausa.china@ausa.com
- AUSA UK** ● Tel.: 07970639988 - E-mail: ausa.uk@ausa.com
- AUSA Brasil** ● Tel.: +55 51 33622111 - E-mail: ausa.brasil@ausa.com
- AUSA México** ● Gustavo Baz, 47. 53489 Naucalpan de Juárez, Edo. de México (MÉXICO) Tel.: +55 2166-9066 - E-mail: ausa.mexico@ausa.com



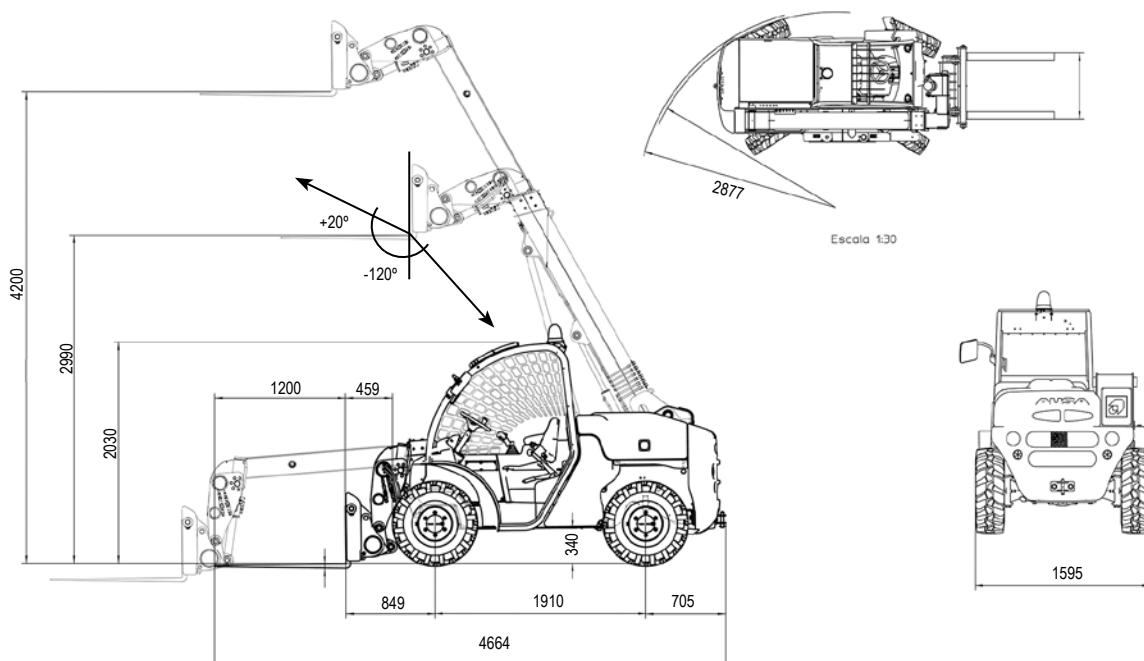
FEM-AEM



**T204H\_2000 Kg**

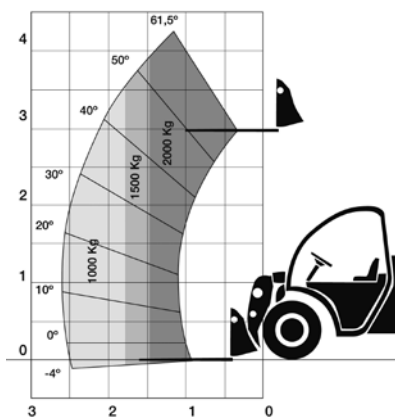
**AUSA**

[www.ausa.com](http://www.ausa.com)



**TECHNICAL SPECIFICATIONS**

		T 204 H
Load capacity (Kg)	Max. load	2000 @ 500 mm
	Load at max. height	2000 @ 500 mm
Lifting height	Maximum lifting height	4200 @ 500 mm
	Maximum lifting height at max. load	4200 @ 500 mm
Reach	Max reach	2598 (mm)
	Capacity at max reach	1000 Kg
Engine	Diesel	Kubota V2403
	Power acc./ SAE J 1995 (KW/HP)	36.5 / 50
	N° of cylinders	4
	Cooling system	Water
Traction		4x4x4 permanent
Transmission		Hydrostatic 2 gears. Electric gear inverter in joystick
Engine starting system		Electric
Speed (Maximum) (Km/h)		24
Unladen weight (Kg)		4050
Gradeability		50%
Hydraulic circuit		24 cc. gear pump. Working pressure 240 bar.
Tyres	Front	10 / 75-15,3 (14PR)
	Rear	10 / 75-15,3 (14PR)
External turning radius (mm)		2877
Steering		Hydraulic
		front wheel steer / all wheel steer / crab steer
Tank capacity	Fuel (l)	65
	Hydraulic fluid (l)	70
Service brake		Disc brake, hydraulically actuated
Parking brake		Disc brake, mechanically actuated



**STANDARD EQUIPMENT**

Homologated FOPS/ROPS tilting cabin for easy service
Joystick with integrated functions, "total control of movements"
Adjustable ergonomic seat with safety belt
Rear view mirror
Audible reverse warning
Rotating beacon
Antivandalic system
Limited slip differential on front axle
4th auxiliary hydraulic service with quick coupling
Road Traffic Selector: Lock joystick and 2 front wheels steering
Active safety system with boom locking by instability/
Engine start lock with hand brake activated / Control arm lock without driver

**OPTIONAL EQUIPMENT**

Semi-closed cabin
Closed soundproof cabin with heater
Air conditioning integrated under the cabin
Radiostereo CD
Adjustable steering column
Front protective grille
Load backrest
Electronic anti theft protection system
Homologated lighting equipment
Working light
5th auxiliary hydraulic service with quick coupling
Hydraulic quick coupling system (Universal SIL type or Euro)
4th auxiliary hydraulic service with continuous flow
Other tyres pattern available
FEM II forks carriage with or without integrated side-sift (TDL)
Bucket 4 in 1
Bucket 600 lt / Bucket 700 lt / Bucket 1.000 lt
Multiple attachments available proven and tested from factory

AUSA reserves the right to make any changes in the specifications without prior notice.